

WIEGAND READERS



CR-1
SWIPE READER



KR-1
KEY READER



TR-1
TURNSTILE READER



CI-1
INSERTION READER

- WIEGAND READERS
- CI-1 INSERTION READER
- CR-1 SWIPE READER
- KR-1 KEY READER
- TR-1 TURNSTILE READER

Northern Computers' Wiegand readers are virtually maintenance-free. Northern's Wiegand readers will have no continuing maintenance, repair or replacement costs.

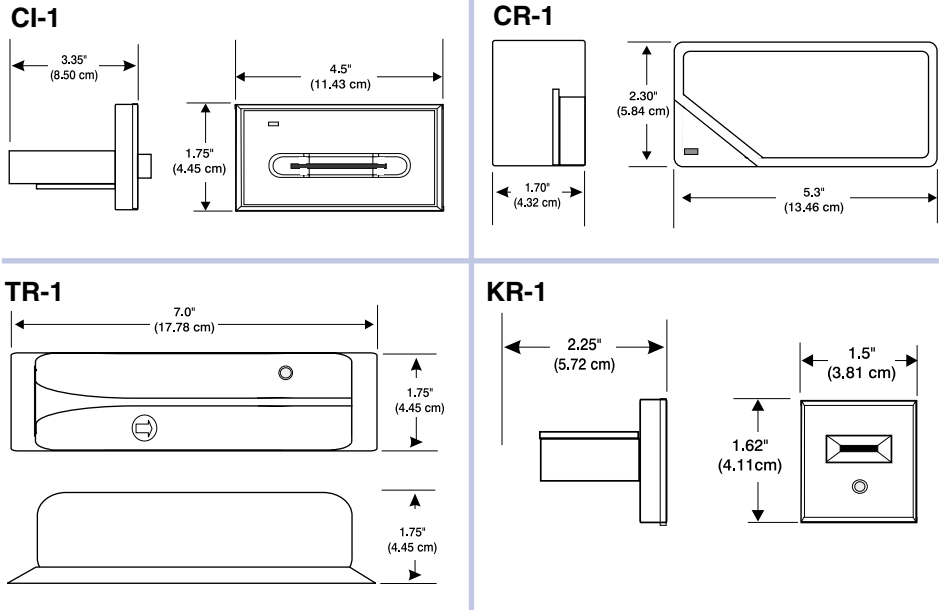
Wiegand readers offer high reliability, high security and flexibility at a reasonable cost. These readers can be used anywhere, regardless of the environment. Snow, rain, or extreme temperatures will not affect a Wiegand-based reader. Wiegand readers are not affected by radio frequency interference or external magnetic fields. You can have complete confidence in the ruggedness and reliability of these readers.

Wiegand technology consists of a series of specially treated wires which are embedded in each card. This proprietary manufacturing process gives the treated wires unique magnetic properties. When the card is passed through the Wiegand reader, a sensing coil picks up the card number in the card. The reader then transmits the card number to Northern's access control system for processing.

BENEFITS

- Available as swipe, insertion, turnstile, or card/key systems
- No encoding or programming required
- Readers are weather resistant and can operate in extreme temperatures
- Readers are molded of tough, high impact plastic
- Cards are available in PVC construction
- All Wiegand readers are warranted for two years from date of shipment
- No mechanical parts to clean or wear out

WIEGAND READERS



SPECIFICATIONS

- **Dimensions**

- **Swipe Reader (CR-1)**

5.30" W x 2.30" H x 1.70" D
(13.462 cm W x 5.84 cm H x 4.32 cm D)

- **Turnstile Reader (TR-1)**

1.75" W x 7.0" H x 1.75" D
(4.45 cm W x 17.78 cm H x 4.45 cm D)

- **Insertion Reader (CI-1)**

4.50" W x 1.75" H x 3.35" D
(11.43 cm W x 4.45 cm H x 8.50 cm D)

- **Key Reader (KR-1)**

1.50" W x 1.62" H x 2.25" D
(3.81 cm W x 4.11 cm H x 5.72 cm D)

- **Operating Temp-** -40° F to 130° F (-40° C to +55° C)

- **Voltage-** +5 VDC

- **Current-** 5 mA

- **Cabling-** 5 conductor with overall shield 18 AWG
maximum distance 500' (154.20 m)

- **NCI Cabling Parts-** NC1861-BL (Non-Plenum)
NCP1861-BL (Plenum)
NC1861-BL-500 (Non-Plenum)
NCP1861-BL-500 (Plenum)

ORDER INFORMATION

CR-1	Wiegand swipe card reader-black
CR-1B	Wiegand swipe card reader-beige
TR-1	Wiegand turnstile card reader-black
CI-1	Wiegand insertion card reader-black
CI-MP	Mounting plate
KR-1	Wiegand key insertion reader-black
KR-MP	Wiegand key reader (KR-1) mounting plate

Consult your Northern Sales Representative for more information.